






-  Non-pressure hygienic access covers
-  Trappes sans pression
-  Drucklose Domdeckel
-  Bocas de hombre sin presión
-  Chiusino circolare



- ◆ 7015 350
- ◆ 7015 400
- ◆ 7015 450

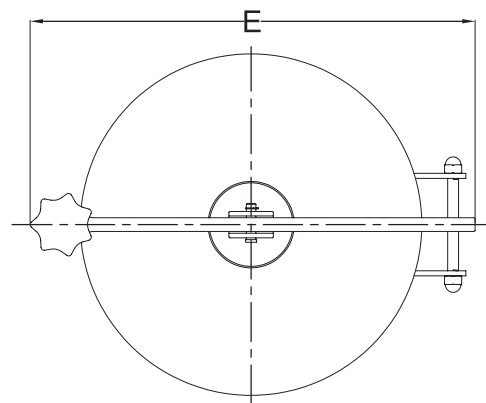
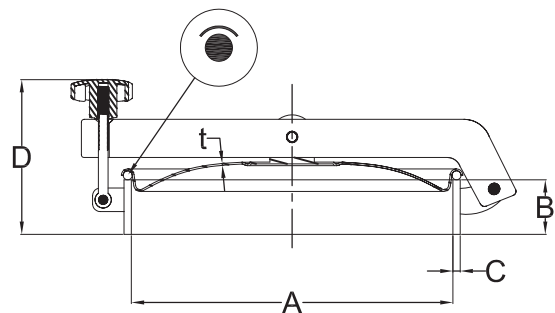


STANDARD SIZE/* At temperature 50°C /122 °F

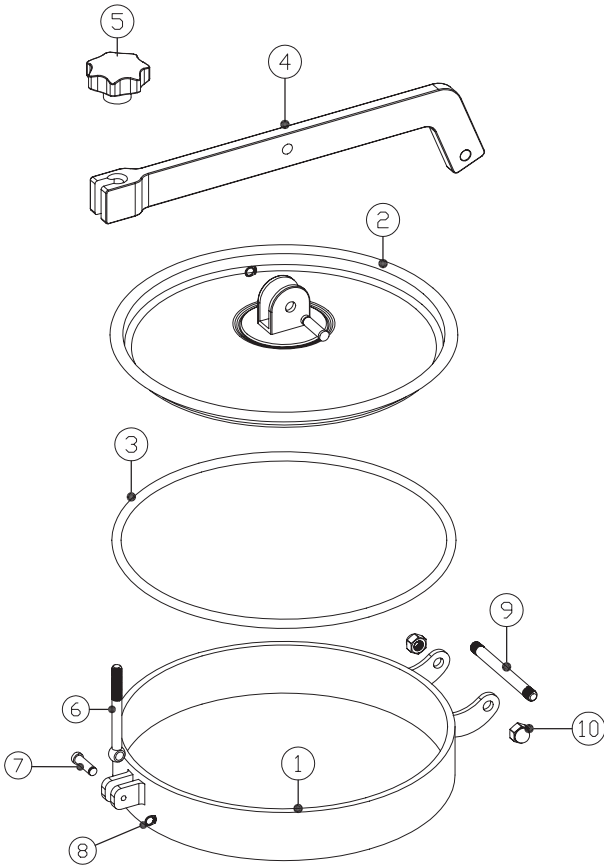
CODE	A	OD×C	B	t	P.MAX
	mm	mm	mm	mm	bar
7015 350	334	350×8.0	85	2.0	0.2
7015 400	384	400×8.0	85	2.0	0.12
7015 450	434	450×8.0	85	2.0	0.1

IF YOU WANT TO CHECK FOR MORE DETAILS
PLEASE CHECK THE FOLLOWING DRAWING

*1BAR ≈14.5PSI=0.1MPA



CNPD Parts Drawing



GASKET

Part No.	Material	Color
7010-02 1	Silicon	White
7010-02 2	EPDM	Black
7010-02 3	FPM	Black

Item	Description	Material	Qty
1	Frame	1.4301/1.4404	1
2	Cover	1.4301/1.4404	1
3	Gasket	Silicon	1
4	Bracket	T304	1
5	Handle	Plastic/T304	1
6	Swing bolt	T304	1
7	Pin	T304	2
8	Lock ring	T304	2
9	Screw	T304	1
10	Nut	T304	2

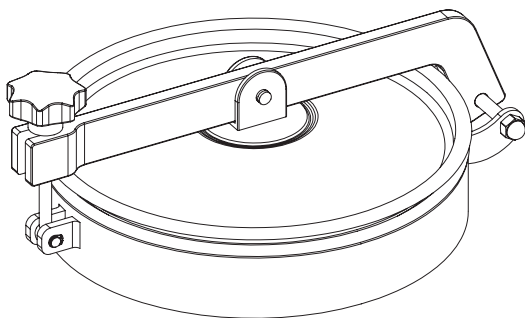
CNPD Technology

TECHNICAL DATA

Working pressure: Acc. to table standard size.

Certificates

3.1 certificate



Options

Stainless Steel Finishes

POLISHED WITH RA (μ)

BEAD BLASTED

PICKLED : ON REQUEST

ELECTRO POLISHED

Cover & Frame Range

Cover Thickness	Frame/Neck Height
2.0mm	85mm (3.35")
2.5mm	100mm (3.94")
	120mm (4.72")

Note: Longer heights are also available.