






-  Round pressure covers with glass pane
-  Trappe hublot à pression avec le verre
-  Runder Druckdeckel mit Glasscheibe
-  Tapa circular a presión con el vidrio
-  Chiusino circolare a pressione con vetro



- ◆ 7021 200
- ◆ 7021 300
- ◆ 7021 400
- ◆ 7021 450
- ◆ 7021 500
- ◆ 7021 600

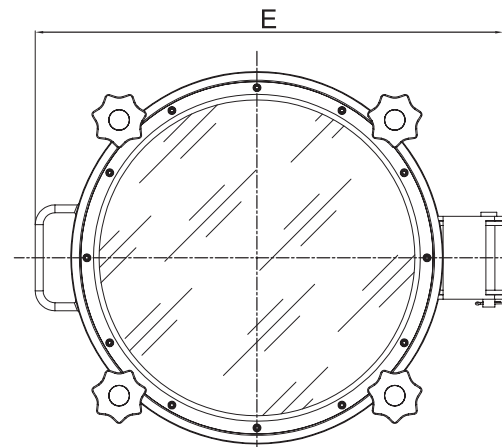
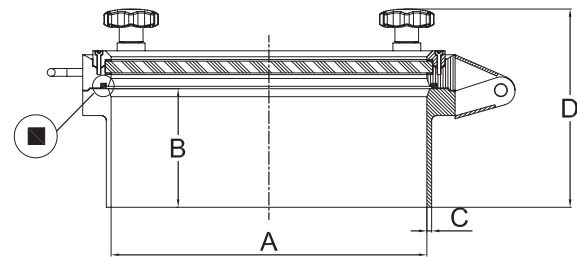


**STANDARD SIZE/\*** At temperature 50°C /122 °F

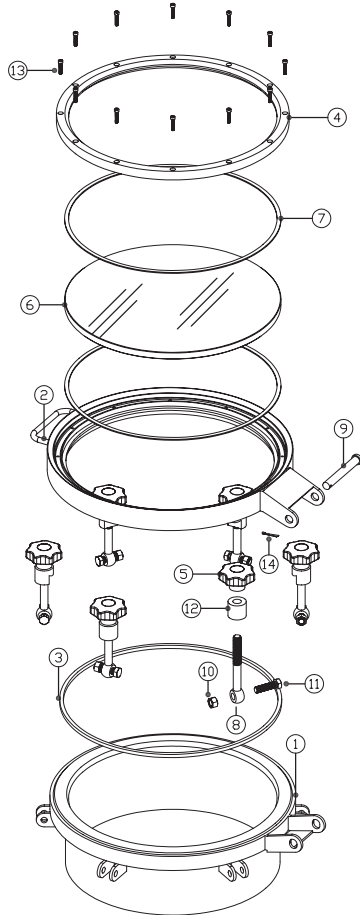
CODE	A	OD×C	BOLTS	B	P.MAX
	mm	mm	No. of	mm	bar
7021 200	200	206×3.0	4	100	2.5
7021 300	300	306×3.0	4/6	100	2.0
7021 400	400	406×3.0	4/6	100	1.5
7021 450	450	456×3.0	4/6	100	1.5
7021 500	500	506×3.0	4/6	100	1.0
7021 600	600	606×3.0	4/6	100	0.5

IF YOU WANT TO CHECK FOR MORE DETAILS  
PLEASE CHECK THE FOLLOWING DRAWING

\*1BAR ≈14.5PSI=0.1MPA



## LIWEI Parts Drawing



GASKET		
Part No.	Material	Color
7010-04 1	Silicon	White
7010-04 2	EPDM	Black
7010-04 3	FPM	Black

Item	Description	Material	Qty
1	Frame	1.4301/1.4404	1
2	Cover	1.4301/1.4404	1
3	Gasket	Silicon	1
4	Flange	T304	1
5	Handle	Plastic/1.4301	6
6	Sight glass	Tempered glass	1
7	Seal	PTFE	2
8	Swing bolt	T304	6
9	Pin	T304	1
10	Nut	T304	6
11	Screw	T304	6
12	Hub	T304	6
13	Screw	T304	12
14	Cotter Pin	T304	1

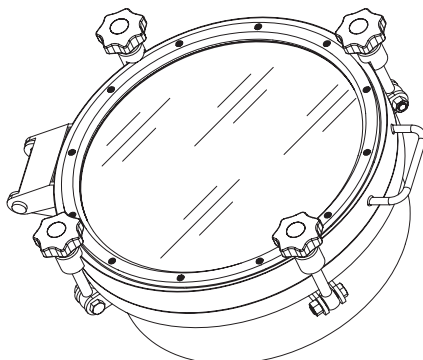
## LIWEI Technology

### TECHNICAL DATA

Working pressure: . . . . . Acc. to table standard size.

### Certificates

EN10204. 3.1 certificate



## Options

### Stainless Steel Finishes

POLISHED WITH RA ( $\mu$ )

BEAD BLASTED

PICKLED : ON REQUEST

ELECTRO POLISHED

### Cover & Frame Range

Cover Thickness	Frame/Neck Height
20mm	85mm (3.35")
22mm	100mm (3.94")
35mm	120mm (4.72")
	150mm (5.91")
	200mm (7.76")
	250mm (9.85")

Note: Longer heights are also available.